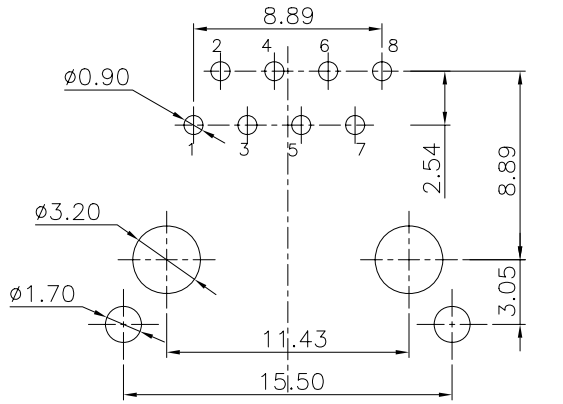
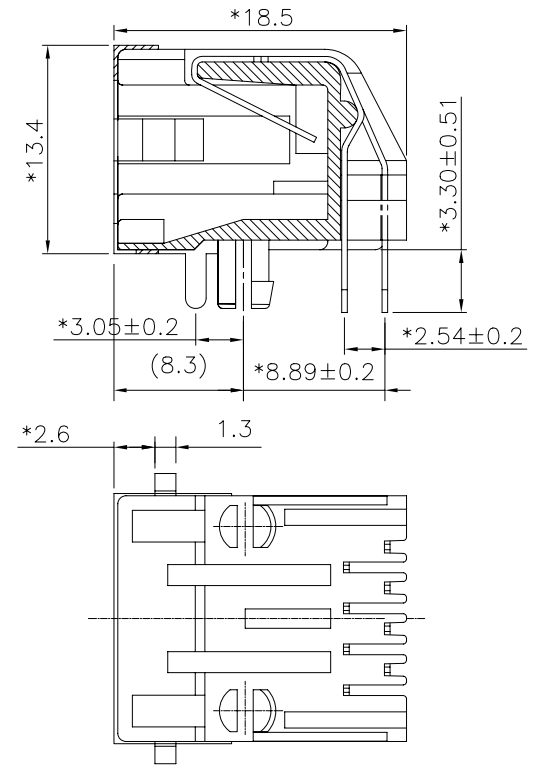
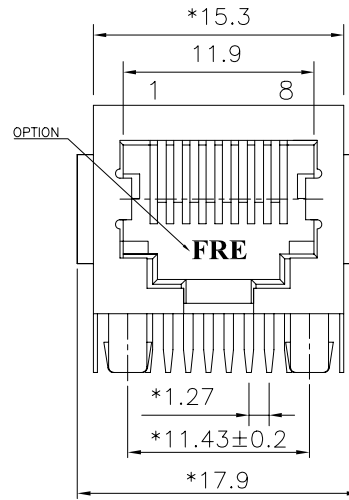


REVISION RECORD				
REV	ECO	DESCRIPTION	DRFT	CHKD
△		Modify P/N	YICAN 08/12/05	
△		ADD PART NUMBER	YAN 11/18/05	
△		ADD PART NUMBER	YAN 12/15/05	



PC Board Layout Component Side Shown



**NOTES:**

**ELECTRICAL:**

- VOLTAGE RATING : 125 VAC RMS.
- CURRENT RATING : 1.5 AMP.
- CONTACT RESISTANCE : 35 MILLIOHMS MAX.
- INSULATION RESISTANCE: 1000 MEGOHMS MIN @ 500 VDC.
- DIELECTRIC STRENGTH : 1000 VAC RMS 60Hz, 1MIN.

**MECHANICAL:**

- HOUSING MATERIAL : PA66 OR FR52 UL94V-0
- CONTACT MATERIAL : PHOSPHOR BRONZE t=0.35mm.
- PLATING : GOLD PLATING OVER NICKEL.
- OPERATING LIFE : 750 CYCLES MIN.
- PCB RETENTION PRE-SOLDER : 1 LB MIN.
- PCB RETENTION POST-SOLDER: 10 LBS MIN.

**ENVIRONMENTAL:**

- STORAGE : -40°C TO +85°C.
- OPERATION: 0°C TO 70°C.
- WAVE SOLDERING TEMPERATURE :255°C~265°C (5~10 SECONDS)

MATES WITH MODULAR PLUG CONFORMING TO

FCC PART 68, SUBPART F.

CUL FILE NO. E163191

PART NUMBER: E6288-0X0XXX-L

SHIELD: \_\_\_\_\_  
3-NICKEL  
E-TIN

△C-NICKEL AND LEAD PLATING TIN

1- 3u" 2- 6u"  
3- 15u" 4- 30u"  
5- 50u"

1-W/ PANEL STOP,W/O KEY,  
W/O "FRE" LOGO  
A-W/ PANEL STOP,W/O KEY,  
W/ "FRE" LOGO

7-FR52 BK  
F-FR52 BLUE  
△5-PA66 BK

<p>← MM (INCH) →</p>		DFTO JAMY	DATE 4/30/05	<p><b>FULL RISE ELECTRONIC CO., LTD</b></p>	
<p>TOLERANCES EXCEPT AS NOTED</p>		CHKD	DATE		
<p>MM</p>		MFO	DATE	<p>TITLE AMP L/P FRONT SHIELDED PCB JACK 8P</p>	
<p>.0 ±0.20 ±</p>		APPVL OSCAR	DATE 12/20/05	<p>DRAWING NO. GE623054-LA</p>	
<p>.00 ±0.15 ±</p>		MATERIAL :		SIZE	REV
<p>.000 ±0.075 ±</p>		QT'Y :		A3	3
<p>ANGLES ±</p>		FINISH :		/PART NO. SEE NOTE	
<p>THIRD ANGLE PROJECTION</p>		SCALE : 2.5:1		DO NOT SCALE DRAWING	
				SHEET X	OF Y

H  
G  
F  
E  
D  
C  
B  
A